

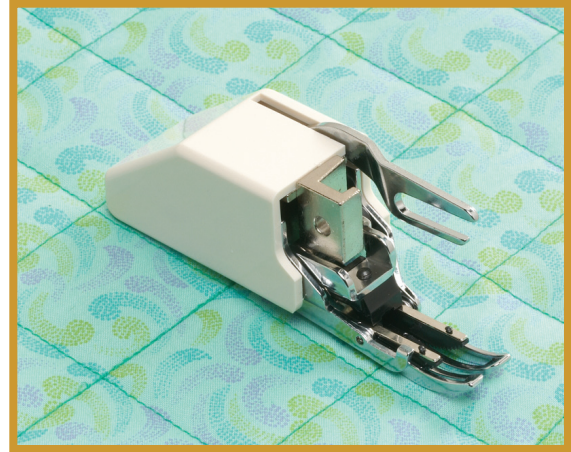
BABY LOCK SEWING ACCESSORIES

Walking Foot

(BLQP-WF)

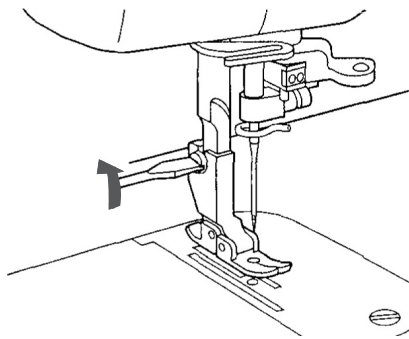
Instructions

This foot has a set of feed dogs to help feed multiple layers evenly without shifting. The walking foot is wonderful for fabrics that stretch or slip easily, such as velvet and corduroy. You won't believe how helpful this foot is for matching plaids and other difficult patterns perfectly.

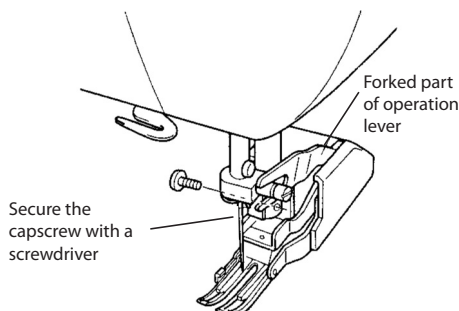


INSTRUCTIONS:

1. Raise the presser foot and raise the needle to the highest position.
2. Loosen and remove screw using the screwdriver included with your machine.



3. Insert the forked part of the operation lever while raised in an upright position onto the screw on the right side of the needle bar, as shown and then insert the capscrew.



4. Tighten the screw securely with the screwdriver. Tightening adequately is important as the screw might loosen due to the foot and forked operation lever vibration.

For Best Results:

- Do not press the foot controller all the way down.
- Try to keep the sewing speed low (500 r.p.m. or less).
- The fabric may not feed if you sew at high speeds.
- The feed dog for feeding the cloth may not move if the foot pressure on the fabric is too strong. Use the presser foot pressure adjustment dial to achieve the desired results.
- Do not use the Pin Feed mode with the walking foot.



FOR THE LOVE OF SEWING