

BABY LOCK SEWING ACCESSORIES

Free-Motion Quilting Foot

(BLQP-FM)

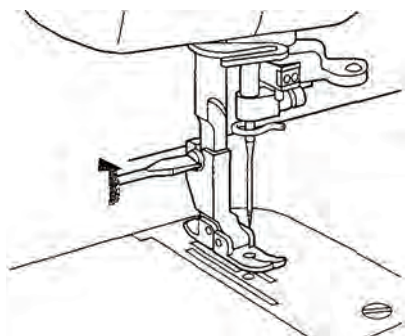
Instructions



The built-in viewing window of this foot offers excellent visibility and control. The built-in spring load prevents flagging and helps keep fabric flat and under control. This foot is excellent for precise stippling, meandering and thread painting techniques.

INSTRUCTIONS:

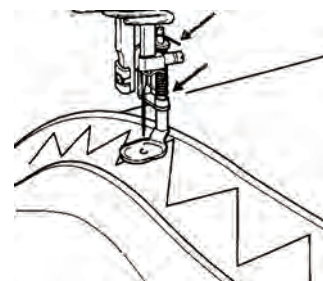
1. Raise presser foot, and raise the needle to the highest position.
2. Loosen and remove screw using the screwdriver included with your machine.



3. Attach the free-motion quilting foot and tighten the screw.
4. Reduce the foot pressure and turn the dial on the machine lowering the feed dogs for free motion quilting.

Note: If the foot is frequently used, be sure to apply a small amount of oil about once a month to the area indicated by the arrow. (If too much oil is applied, wipe off the excess with a cloth.)

For best results when using metallic or monofilament threads for free-motion quilting, sew with a good quality thread, set upper tension 1-2, and use a metallic needle.



FOR THE LOVE OF SEWING